



**Electrolux**  
PROFESSIONAL

## Premium Preparation 1600 mm Worktop Cupboard

ITEM # \_\_\_\_\_

MODEL # \_\_\_\_\_

NAME # \_\_\_\_\_

SIS # \_\_\_\_\_

AIA # \_\_\_\_\_



133076 (TN1600EN)

WorkTop Cupboard, with 1 shelf and 2 sliding doors, (6 feet), 1600mm

### Short Form Specification

Item No. \_\_\_\_\_

The 50mm high worktop in 304 AISI stainless steel, 1,5mm in thickness, is sound-deadened and has anti-drip edges and welded corners. Inner welded frame in stainless steel. Under-top reinforcement in 304 AISI s/s. Intermediate reinforced shelf in 304 AISI s/s that can be positioned at three different heights. Base shelf in 304 AISI s/s, 1mm in thickness, reinforced by 1,5mm support bars in AISI 304 s/s. Two sound-deadened sliding doors in 304 AISI s/s. Welded construction for maximum strength. Six 2"-feet in 304 AISI stainless steel, h=200mm, adjustable in height (-50+20mm).

### Main Features

- Worktop cupboard can be mounted on 125 mm diameter castors (2 with brakes) using the optional accessory kit.
- Handles in stainless steel for better hygiene and reliability.
- Sturdiness, stability and reliability of table accurately tested.

### Construction

- Inner welded frame in stainless steel to guarantee superior strength and stability.
- Base panel has 40mm high profile, is 8/10 in thickness with upturned edges and bar reinforcement. It is welded to legs for further structure reinforcement.
- Base panel in AISI 304 stainless steel, 10/10 in thickness reinforced by 15/10 support bars in AISI 304.
- Intermediate shelf in stainless steel with riveted corners and trasversal reinforcement in stainless steel.
- 100 mm upstand with 10 mm radioused corner and 13 mm deep, designed to be used against a wall.
- Heavy duty construction entirely in AISI 304 stainless steel to offer maximum durability.
- 304 AISI stainless steel feet, 150 mm high and 54 mm in diameter, adjustable by -35/+25 mm.

### Optional Accessories

- Wheel kit for cupboards, 4 wheels (2 with brakes), D=1000 mm  PNC 855299

APPROVAL: \_\_\_\_\_

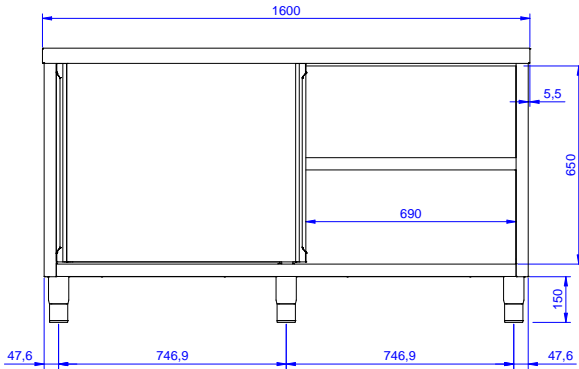


Experience the Excellence  
[www.electroluxprofessional.com](http://www.electroluxprofessional.com)

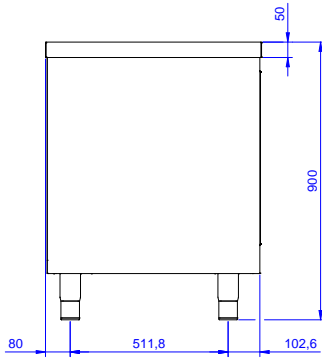
## Key Information:

|                                     |           |  |
|-------------------------------------|-----------|--|
| <b>Cabinet width:</b>               |           |  |
| <b>133076 (TN1600EN)</b>            | 1545 mm   |  |
| <b>Cabinet depth:</b>               | 645 mm    |  |
| <b>Cabinet height:</b>              | 610 mm    |  |
| <b>External dimensions, Width:</b>  | 1600 mm   |  |
| <b>External dimensions, Depth:</b>  | 700 mm    |  |
| <b>External dimensions, Height:</b> | 900 mm    |  |
| <b>Number and type of doors:</b>    | 2 Sliding |  |
| <b>Worktop thickness:</b>           | 50 mm     |  |
| <b>Net weight:</b>                  | 65 kg     |  |

Front



Side



Top

